

LVW02 Series

## Multi-screen Video wall mounts

Built video wall easily!

**LUMI**  
pro



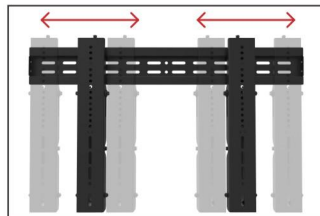
### Easily **pop-out** & **quick-lock** mechanism



**Protects Displays**  
by removing the possibility  
of accidental pop-outs via  
the plastic locking pieces



**Built-in Screen Level  
Adjustment**  
for seamless display  
alignment and level



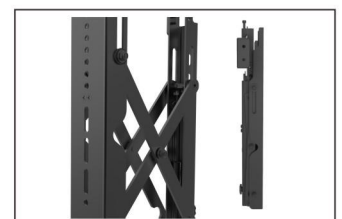
**Lateral Shift Brackets**  
enable easy alignment



**Anti-Theft Design**  
(require for a padlock)



**Quick-Lock by a Press**  
allows easy installation



**Easily Pulled Out for Quick  
Maintenance**

# LVW02 Series

## Multi-screen Video wall mounts

Built video wall easily!

# LUMI pro

### LVW02-46T



Screen Size  
**37" ~ 70"**



VESA Compatible  
200x200 300x300  
400x200 400x400  
600x400



Profile to Wall  
**68-215mm/  
2.7"-8.5"**



Four Times  
**Strength Tested**



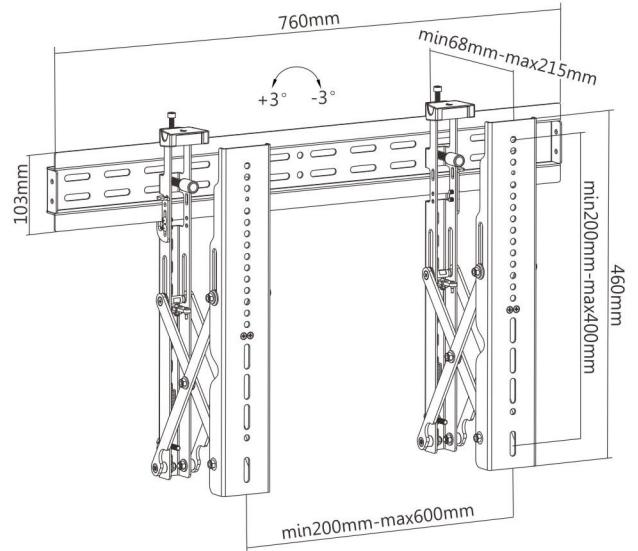
Screen Level  
**+3° ~ -3°**



Weight Capacity  
**45kg/99lbs**



Anti-theft



### LVW02-48T



Screen Size  
**37" ~ 70"**



VESA Compatible  
200x200 300x300  
400x200 400x400  
600x400 800x400



Profile to Wall  
**68-215mm/  
2.7"-8.5"**



Four Times  
**Strength Tested**



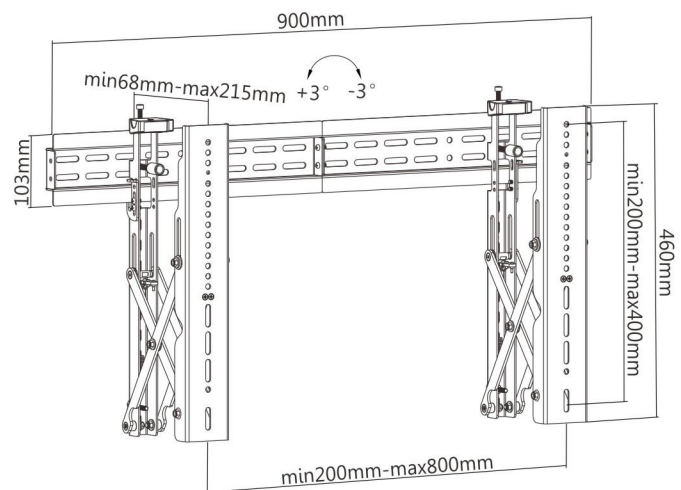
Screen Level  
**+3° ~ -3°**



Weight Capacity  
**45kg/99lbs**



Anti-theft



## LVW02 Series

# Multi-screen Video wall mounts

Built video wall easily!

# LUMI pro

### LVW02-46F



Screen Size  
**37" ~ 70"**



VESA Compatible  
200x200 300x300  
400x200 400x400  
600x400



Profile to Wall  
**56-215mm/  
2.2"-8.5"**



Four Times  
**Strength Tested**



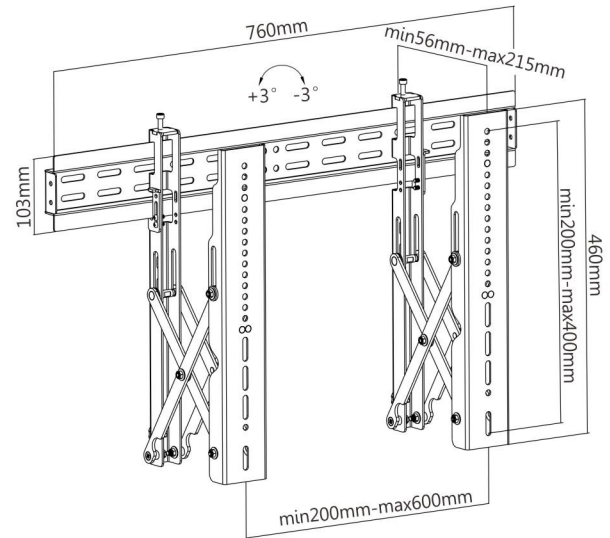
Screen Level  
**+3° ~ -3°**



Weight Capacity  
**45kg/99lbs**



Anti-theft



### LVW02-48F



Screen Size  
**37" ~ 70"**



VESA Compatible  
200x200 300x300  
400x200 400x400  
600x400 800x400



Profile to Wall  
**56-215mm/  
2.2"-8.5"**



Four Times  
**Strength Tested**



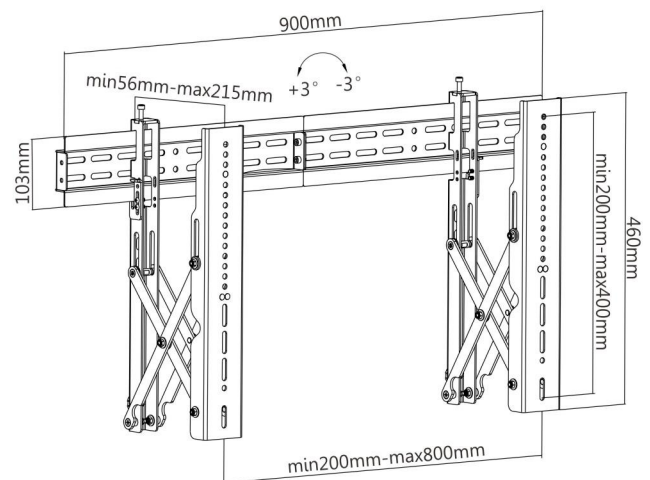
Screen Level  
**+3° ~ -3°**



Weight Capacity  
**45kg/99lbs**



Anti-theft

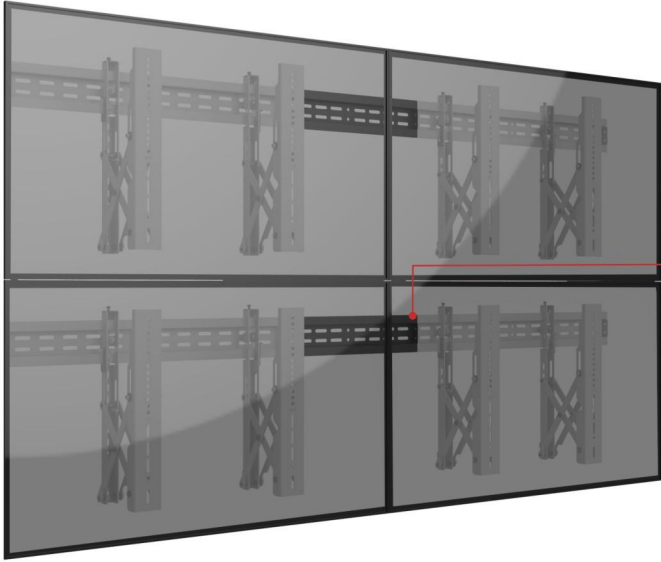


LVW02 Series

# Multi-screen Video wall mounts

Built video wall easily!

# LUMI pro



**Simple connector**  
allows easy assembly of  
multi-wall mounts

**LVW02-WPS**



Four Times  
**Strength Tested**



Weight Capacity  
**45kg/99lbs**

