



C+L CONSORCIO PROVEEDORES E.I.R.L.

SOMOS IMPORTADORES Y DISTRIBUIDORES

Líder en Semiconductores y Accesorios Industrial, Comercial, Minero y Aviación

R.U.C. 20461080945

Jr. Moquegua N° 350 Of. 204
Lima - Lima - Perú

E-mail: ventas@consorcioproveedores.com
Web : www.consorcioproveedores.com

☎ : 427-6325
☎ : 9918-25641

☎ : 9835-17956
☎ : 9858-10221

C + L N.-0010180-22

Lima, 03 de Marzo del 2022

Señores:

CIENCIA INTERNACIONAL.

Av. Republica de Panamá N.- 5768 - Urb. San Antonio (Oficina N. 4).

MIRAFLORES.

Atte. Cristina Suarez – Logística.

En atención a su amable solicitud, tenemos el agrado de dirigirles las siguientes Pro formas:

ITEM	CANT	DESCRIPCIÓN	P/ UNIT S/.	P/ TOTAL S/.
1	06 UND	RECEPTOR GPS TRIMBLE THUNDERBOLT E-STARTER KIT. P/N. 62989-50 MARCA. TRIMBLE.	16,015.00	96,090.00

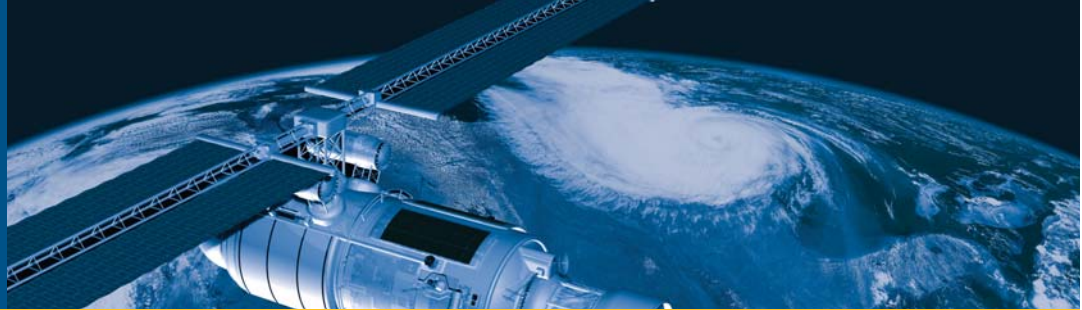
TOTAL: S/. 96,090.00

Quedo atento a su comentario.

CONDICIONES GENERALES.

Precio Incluido : I.G.V. 18 %.
Entrega : Importación 30 Días O/C. Entrega en sus Instalaciones.
Transporte : Vía Aérea DHL.
Forma de Pago : Crédito 15 Días.
Oferta Valida : 10 Días.
R.U.C. : 20461080945.
Cotizado : Nuevos Soles.
Banco : Interbank.
CCI : 003-100-003000004830-53.

C+L CONSORCIO PROVEEDORES E.I.R.L.
Leandro Huamani Alvarado
Fon: 983 517 956 / Claro: 991 825 641
Movistar: 983 518 221



THUNDERBOLT E GPS DISCIPLINED CLOCK

KEY FEATURES

- Double-ovenized quartz oscillator provides stable 10 MHz and 1 PPS output to maximize bandwidth
- Combined GPS receiver and 10 MHz oscillator on one board
- High volume manufacturing provides reliable low-cost products
- Meets holdover specifications of 8 μ s over 24 hours



PRECISE GPS CLOCK FOR WIRELESS INFRASTRUCTURE

The Trimble® Thunderbolt® E GPS Disciplined Clock is Trimble's latest offering for GPS synchronization devices targeting the wireless infrastructure. This fifth-generation GPS clock combines a 12-channel GPS receiver, control circuitry, and a high-quality double-ovenized oscillator on a single board, providing increased integrity and reliability at a lower size and cost.

The Thunderbolt E's level of integration makes it a perfect solution for precise timing applications in the wireless industry. Among its uses are synchronizing the E911 positioning infrastructure, and providing precise time and frequency for WiMax and LTE-TDD applications, along with digital broadcast applications.

The architecture is comparable to systems currently used to maintain the tough CDMA, WiMax, and LTE-TDD holdover specification. The Thunderbolt E is available in its enclosure, or as an OEM board.

The Thunderbolt E GPS clock outputs a 10 MHz reference signal and a 1 PPS signal with an over-determined solution synchronized to GPS or UTC time. The PPS output accommodates applications requiring sub-microsecond timing.

The Trimble T-RAIM (Time-Receiver Autonomous Integrity Monitor) algorithm is used to monitor satellites to ensure signal integrity.

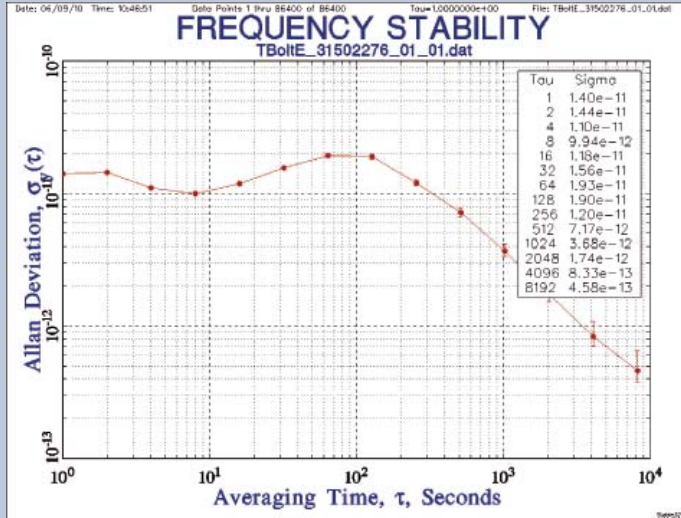
Matching the Thunderbolt E GPS Clock with the Trimble Bullet™ antenna creates a system that provides reliable performance in hostile R/F environments. The system can be easily calibrated for different cable lengths.

The high level of integration and volume production techniques make the Thunderbolt E GPS Disciplined Clock an extremely cost-competitive timing solution for volume synchronization applications.

THUNDERBOLT E GPS DISCIPLINED CLOCK

PERFORMANCE SPECIFICATIONS

General L1 frequency, CA/code (SPS), 12-channel continuous tracking receiver
 Update rate 1 Hz
 PPS accuracy UTC 15 nanoseconds (one sigma)
 10 MHz accuracy 1.16×10^{-12} (one day average)
 10 MHz stability See graph below



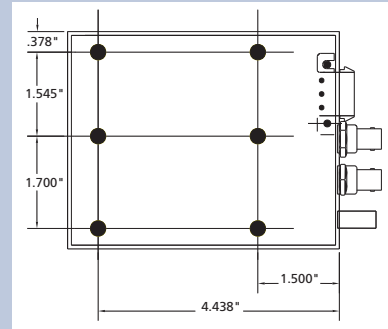
Harmonic level -40 dBc/Hz max
 Spurious -70 dBc/Hz max
 Phase noise 10 Hz -115 dBc/Hz
 100 Hz -130 dBc/Hz
 1 kHz -135 dBc/Hz
 10 kHz -145 dBc/Hz
 100 kHz -145 dBc/Hz

ENVIRONMENTAL SPECIFICATIONS

Operating temp -20 °C to +75 °C
 Storage temp -40 °C to +85 °C
 Operating humidity 95% (non-condensing)

INTERFACE SPECIFICATIONS

Prime power +24 V and return using DC to DC power supply (19 V-34 V)
 Mechanical connection uses a two-pin locking connector.
 1 PPS Interface Specification
 • BNC Connector 0 V to 2.4 V $\pm 10\%$ into 50 Ω 10 microseconds-wide pulse with the leading edge synchronized to UTC within 15 nanoseconds (one sigma) in static, time only mode.
 • The rising time is <20 nanoseconds and the pulse shape is affected by the distributed capacitance of the interface cable/circuit.
 10 MHz BNC connector. Waveform is sinusoidal 7 dBm ± 2 into 50 Ω
 5 dBm = 1.125 Vpp
 7 dBm = 1.416 Vpp
 9 dBm = 1.783 Vpp
 Serial interface RS-232 through a DB-9/M connector
 RF antenna connector BNC
 Serial protocol Trimble Standard Interface Protocol (TSIP) binary protocol @ 9600, 8-None-1



PHYSICAL CHARACTERISTICS

Power consumption 12 watts cold; 8 watts steady state
 Dimensions 5 in L x 4 in W x 2 in H (127 mm x 102 mm x 40 mm)
 Mounting Six mounting holes for M3 screws. Max. depth 3/8"
 Weight 0.628 lb (0.285 kg)
 Power connector Molex 39-30-1020

ORDERING INFORMATION & ACCESSORIES

Please go to www.trimble.com/timing for the latest documentation, software, tools, part numbers and ordering information.

Trimble has relied on representations made by its suppliers in certifying this product as RoHS compliant.

Specifications subject to change without notice.

Trimble Navigation Limited is not responsible for the operation or failure of operation of GPS satellites or the availability of GPS satellite signals.

NORTH AMERICA
 Trimble Navigation Limited
 Corporate Headquarters
 935 Stewart Drive
 Sunnyvale, CA 94085
 Phone: +1-703-237-7400
 Email: timing@trimble.com

EUROPE
 Trimble Navigation Europe
 +4670-544-10-20 Phone

KOREA
 Trimble Export Ltd, Korea
 Phone: +86-10-8857-7575

CHINA
 Trimble Navigation Ltd,
 China
 Phone: +86-21-6391-7814

